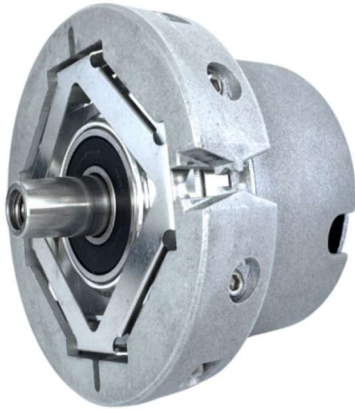




RZ Series Bearing Absolute

RZ1337A



Uses

This product is mainly used for servo-driven control system. Provide feedback information and auxiliary signals required by accurate position and speed control units for the system.

Features

- Working temperature -20 °C ~+105 °C
- Current consumption < 100mA
- Battery voltage 3.6V DC
- Battery fault voltage 2.7V
- Battery warning voltage 3.1V
- Differential output
- Single 5V±10% DC Supply
- Rise/Fall time around 100ns
- Insulated resistance 50MΩ



RZ Series Bearing Absolute

RZ1337A



Uses

This product is mainly used for servo-driven control system. Provide feedback information and auxiliary signals required by accurate position and speed control units for the system.

Features

- Working temperature $-20\text{ }^{\circ}\text{C} \sim +105\text{ }^{\circ}\text{C}$
- Current consumption $< 100\text{mA}$
- Battery voltage 3.6V DC
- Battery fault voltage 2.7V
- Battery warning voltage 3.1V
- Differential output
- Single $5\text{V} \pm 10\%$ DC Supply
- Rise/Fall time around 100ns
- Insulated resistance $50\text{M}\Omega$

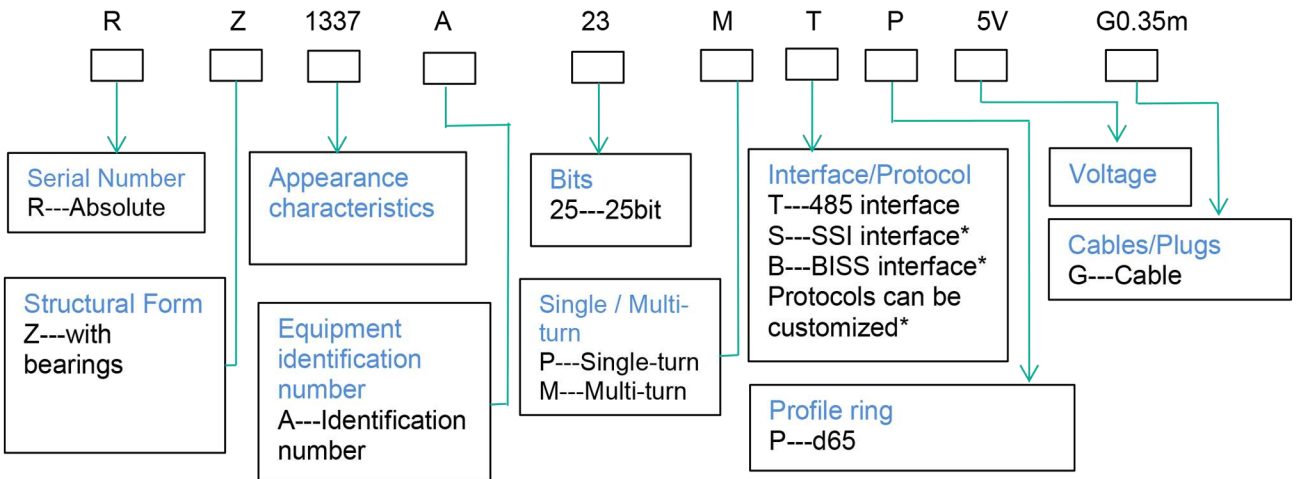
Technical Parameters

- Single-turn Resolution 33554432 (25bit)
- Shaft diameter: axis of a cone 10 taper
- 16 bits multi-turn resolution counter 1:10
- Absolute positioning accuracy $<\pm 30$ angular seconds
- Moment of inertia $2.6 \cdot 10^{-6}$ kg/mm²
- Rotor angular acceleration
- Note: The specific accuracy depends on the motor and mechanical assembly fit
- During power supply ≤ 100000 rad/s²
- When battery powered ≤ 4000 rad/s²
- Repetition positioning accuracy $<\pm 30$ angular seconds
- Mechanical shock
- Note: The specific accuracy depends on the motor and mechanical assembly fit
- Impact acceleration 980 m/s²
- 11ms. Impact 3 times in each direction, totally 18 times
- Battery voltage fault warning
- Vibrate
- Interface RS485
- 10 to 55Hz, keeping the amplitude of 1.5mm
- Communication frequency ≤ 16 K
- Acceleration between 55 and 2000Hz is 98m/s² XYZ 2 hours per axial direction, 6 hours intotal
- Baud rate 2.5MHz
- Enter allowable deviation of shaft
- Axial: ± 0.5 mm Radial: ± 0.02 mm Dip angle: 0.1° Axial endplay: < 0.1 mm Radial runout: < 0.01 mm
- Working temperature $-20^\circ\text{C} \sim +110^\circ\text{C}$
- Relative humidity $\leq 90\%$ ($40^\circ\text{C}/21$ d, based on EN 60068-2 -78) without condensation.
- Operation speeds of up to 12000rpm
- Degree of protection IP40

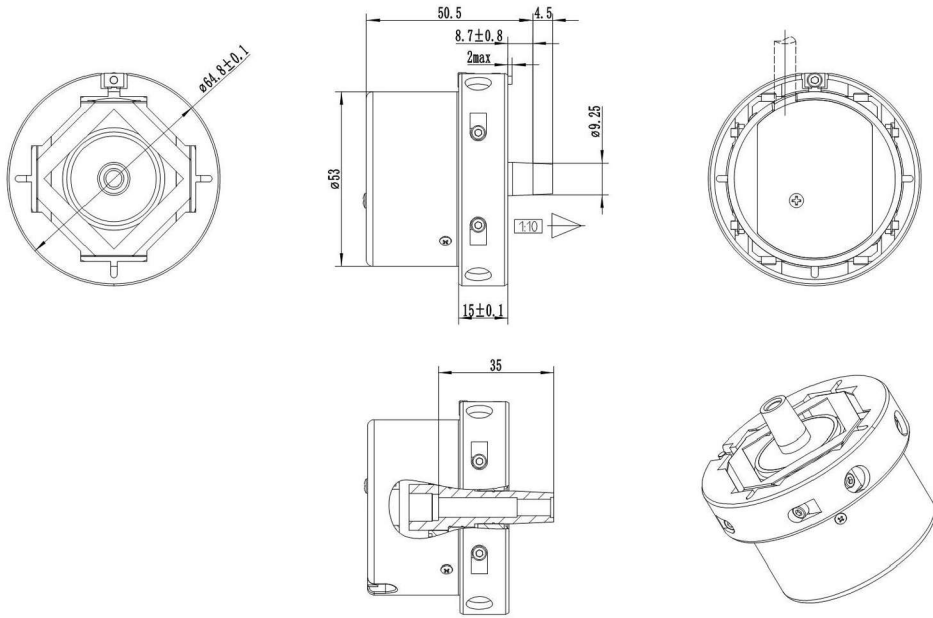
Cable Definitions

Insert seat number	PIN2	PIN4	PIN11	PIN13	PIN6	PIN8	PIN1
Cable Color	Red	Black	Blue	Yellow	Brown	White	Shielded Mesh
Signal Definition	5V	GND	485+	485-	Battery +	Battery GND	P

Ordering Information/Part Number



Mechanical Dimension



RZ1337A Mechanical Dimension Drawing

Technical Parameters

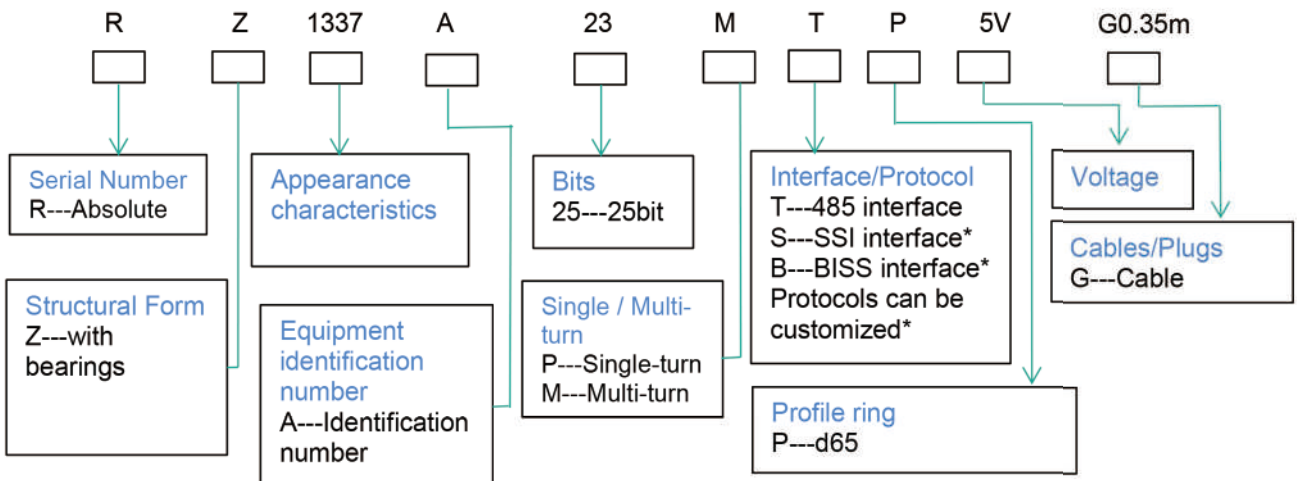
- Single-turn Resolution 33554432 (25bit)
- Shaft diameter: axis of a cone 10 taper
- 16 bits multi-turn resolution counter 1:10
- Absolute positioning accuracy $<\pm 30$ angular seconds
- Moment of inertia $2.6 \cdot 10^{-6}$ kg/mm²
- Rotor angular acceleration
- Note: The specific accuracy depends on the motor and mechanical assembly fit
- During power supply ≤ 100000 rad/s²
- When battery powered ≤ 4000 rad/s²
- Repetition positioning accuracy $<\pm 30$ angular seconds
- Mechanical shock
- Note: The specific accuracy depends on the motor and mechanical assembly fit
- Impact acceleration 980 m/s²
- 11ms. Impact 3 times in each direction, totally 18 times
- Battery voltage fault warning
- Vibrate
- Interface RS485
- 10 to 55Hz, keeping the amplitude of 1.5mm
- Communication frequency ≤ 16 K
- Acceleration between 55 and 2000Hz is 98m/s² XYZ 2 hours per axial direction, 6 hours intotal
- Baud rate 2.5MHz
- Enter allowable deviation of shaft
- Axial: ± 0.5 mm Radial: ± 0.02 mm Dip angle: 0.1° Axial endplay: < 0.1 mm Radial runout: < 0.01 mm
- Working temperature $-20^\circ\text{C} \sim +110^\circ\text{C}$
- Relative humidity $\leq 90\%$ ($40^\circ\text{C}/21$ d, based on EN 60068-2 -78) without condensation.
- Operation speeds of up to 12000rpm
- Degree of protection IP40

RZ Series Bearing Absolute

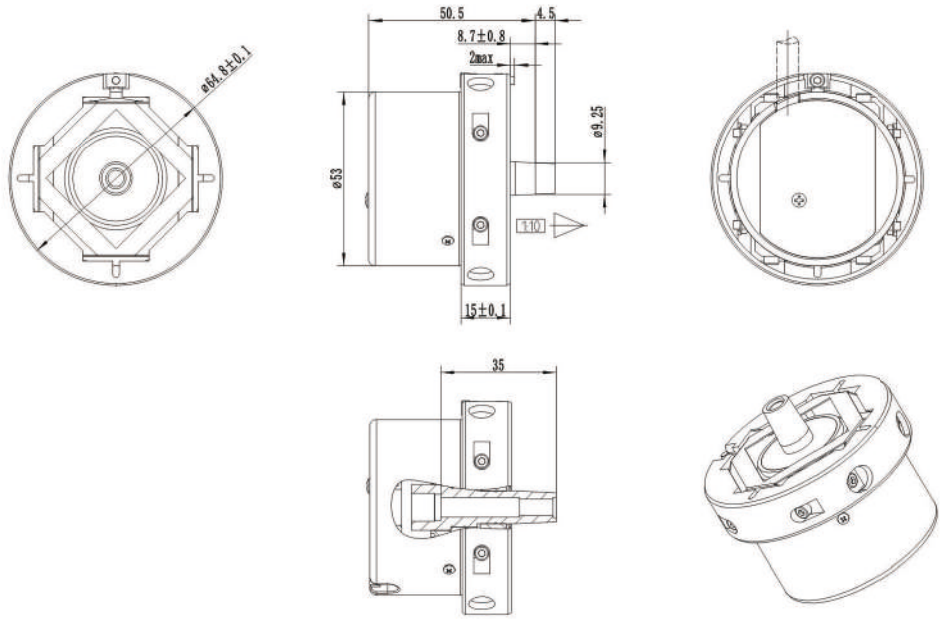
Cable Definitions

Insert seat number	PIN2	PIN4	PIN11	PIN13	PIN6	PIN8	PIN1
Cable Color	Red	Black	Blue	Yellow	Brown	White	Shielded Mesh
Signal Definition	5V	GND	485+	485-	Battery +	Battery GND	P

Ordering Information/Part Number



Mechanical Dimension



RZ1337A Mechanical Dimension Drawing